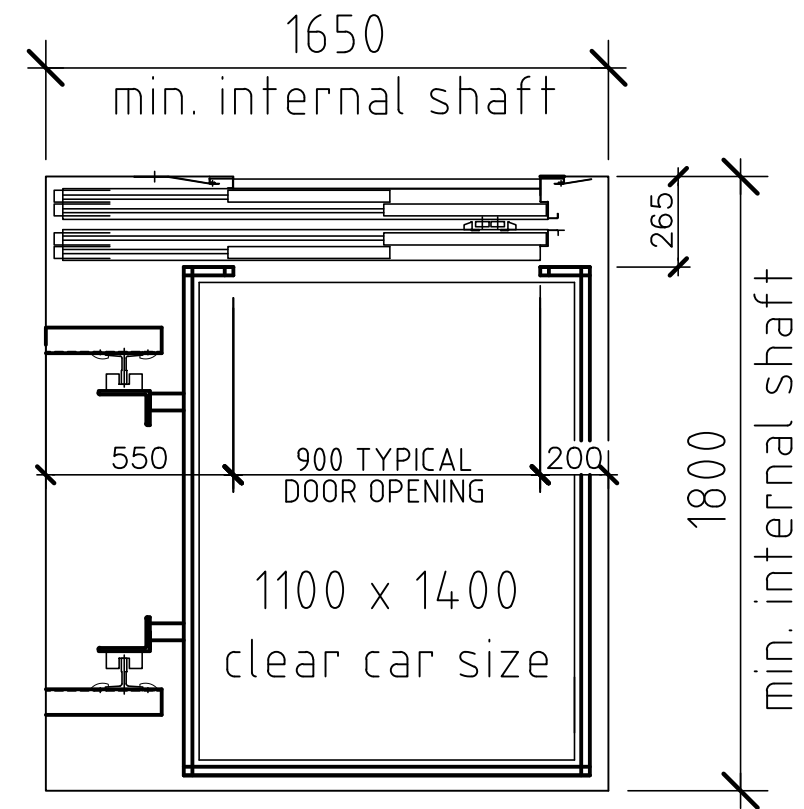


STANDARD DOOR SETOUT
(CAN VARY)



ACCESS SOLUTIONS SUPPLIED SHAFT — OR — BUILDER SUPPLIED SHAFT
 SAVES EVERYONE TIME AND MONEY AND CAN
 BECOME PART OF THE BUILDING STRUCTURE
 TO SUPPORT OTHER MEMBERS
 (CRANED IN FROM ABOVE)

SIDE OPENING DOOR (RIGHT)
 SAME SIDE EXIT / ENTRY

ELEVATOR TYPE	MOTOR ROOMLESS
RATED LOAD	320 Kg
N° OF PASSENGERS	4 PERSONS
DRIVE	DRUM DRIVE
SPEED (m/s)	0.25 m/s
DRIVE CONTROL	VF
ROPE SUSPENSION	1:1
GEAR RATIO	GEARLESS
LANDINGS	G,1
MAIN FLOOR	GROUND FLOOR
TRAVEL	T.B.C.
SHAFT HEIGHT	T.B.C.
PIT DEPTH	150mm
CAR SIZE	1100 WIDE x 1400 DEEP
CAR HEIGHT	2200 CLEAR
DOOR OPENING	2100 HIGH x 900 WIDE



86 Burwood Drive
 Blackmans Bay
 Tasmania 7052
 PO BOX 161 Kingston
 P. (03) 6229 2476
 info@access-solutions.com.au
 www.access-solutions.com.au